

SAE Technical Standards Board Rules provide that: "This report is published by SAE to advance the state of technical and engineering sciences. The use of this report is entirely voluntary, and its applicability and suitability for any particular use, including any patent infringement arising therefrom, is the sole responsibility of the user." SAE reviews each technical report at least every five years at which time it may be revised, reaffirmed, stabilized, or cancelled. SAE invites your written comments and suggestions.

**REV. C**  
**MA3354**

FEDERAL SUPPLY CLASS  
5310

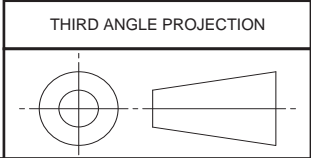
**RATIONALE**

THIS NONCURRENT STANDARD HAS BEEN STABILIZED.

**STABILIZED NOTICE**

THIS DOCUMENT HAS BEEN DECLARED "STABILIZED" BY THE SAE E-25 GENERAL STANDARDS FOR AEROSPACE AND PROPULSION SYSTEMS COMMITTEE AND WILL NO LONGER BE SUBJECT TO PERIODIC REVIEWS FOR CURRENCY. USERS ARE RESPONSIBLE FOR VERIFYING REFERENCES AND CONTINUED SUITABILITY OF TECHNICAL REQUIREMENTS. NEWER TECHNOLOGY MAY EXIST.

**SAE values your input. To provide feedback on this Technical Report, please visit <http://www.sae.org/technical/standards/MA3354C>**



ISSUED 1985-12 NONCURRENT 1996-11 REAFFIRMED NONCURRENT 2006-05 REVISED 2010-08 STABILIZED 2014-08

CUSTODIAN: E-25

PROCUREMENT SPECIFICATION: NONE



**METRIC AEROSPACE STANDARD**  
NUT, PLAIN HEX - THIN, UNS G87400,  
CADMIUM PLATE, MJ THREAD,  
METRIC

**MA3354**

**REV. C**

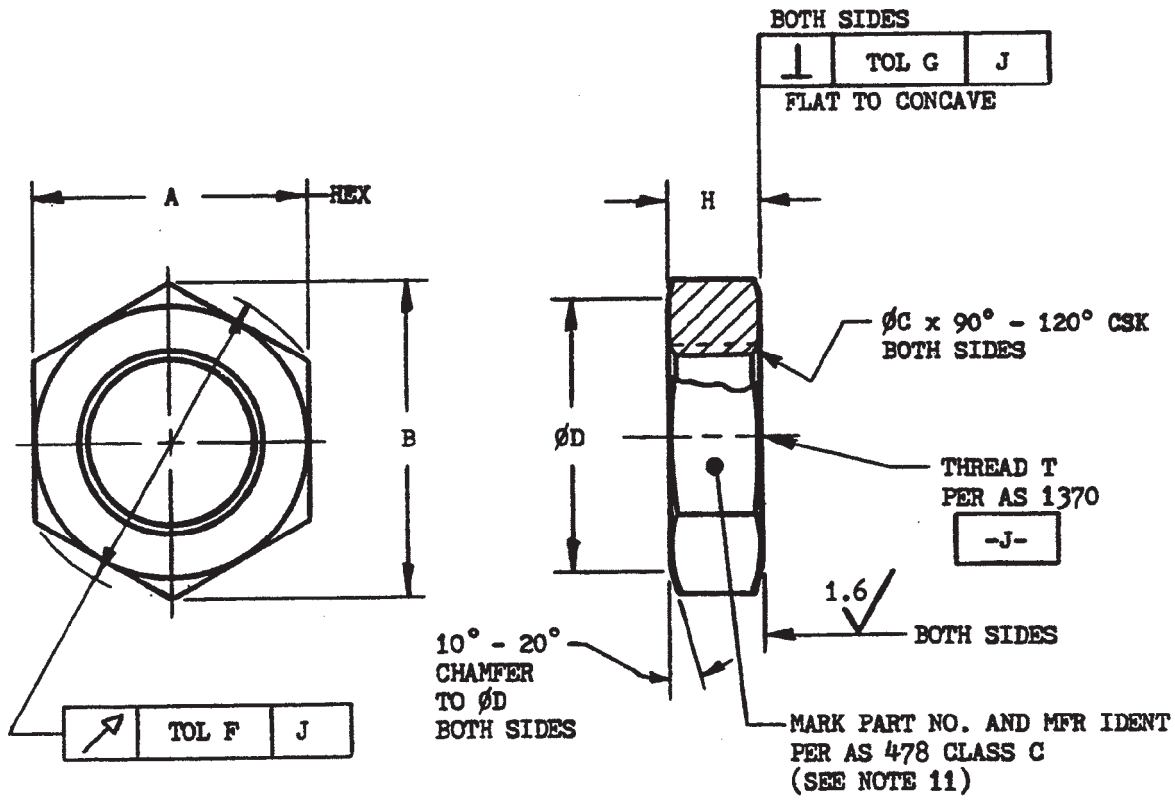


FIGURE 1 - NUT